

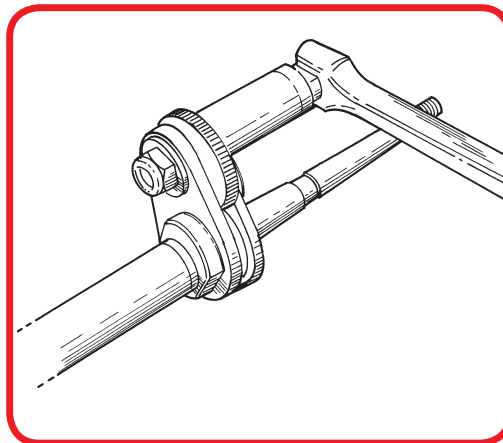
# Heavy Duty Wrack Wrench™



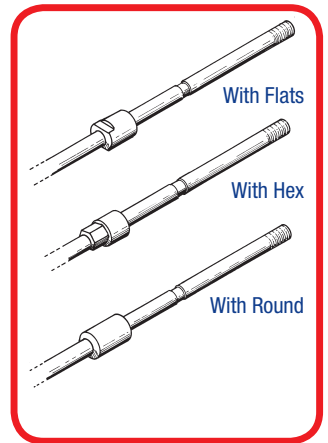
## Service all inner tie rods with this versatile tool

- New larger size provides coverage for domestic & import light trucks and SUV's
- Suits multiple rack ends and sizes (hex, round with two flats, round with no flats)
- Fixed position rings provide added strength
- Patented cam design increases force as load is applied
- Universal design suits inner tie rods from 38mm (1-1/2") to 48mm (1-7/8")
- 1/2" square drive

Cam design increases force as load is applied



Service all inner tie rods



PATENT PENDING

Part No: 70950

PRIVATE BRAND TOOLS  
(AUSTRALIA) PTY LTD  
A.B.N. 72 067 983 475  
41 Moreton Street  
Heathwood QLD 4110  
Australia

Phone: +61 7 3278 8299  
Fax: +61 7 3278 8399

Internet: [www.pbtusa.com](http://www.pbtusa.com)  
Email: [sales@pbtusa.com](mailto:sales@pbtusa.com)