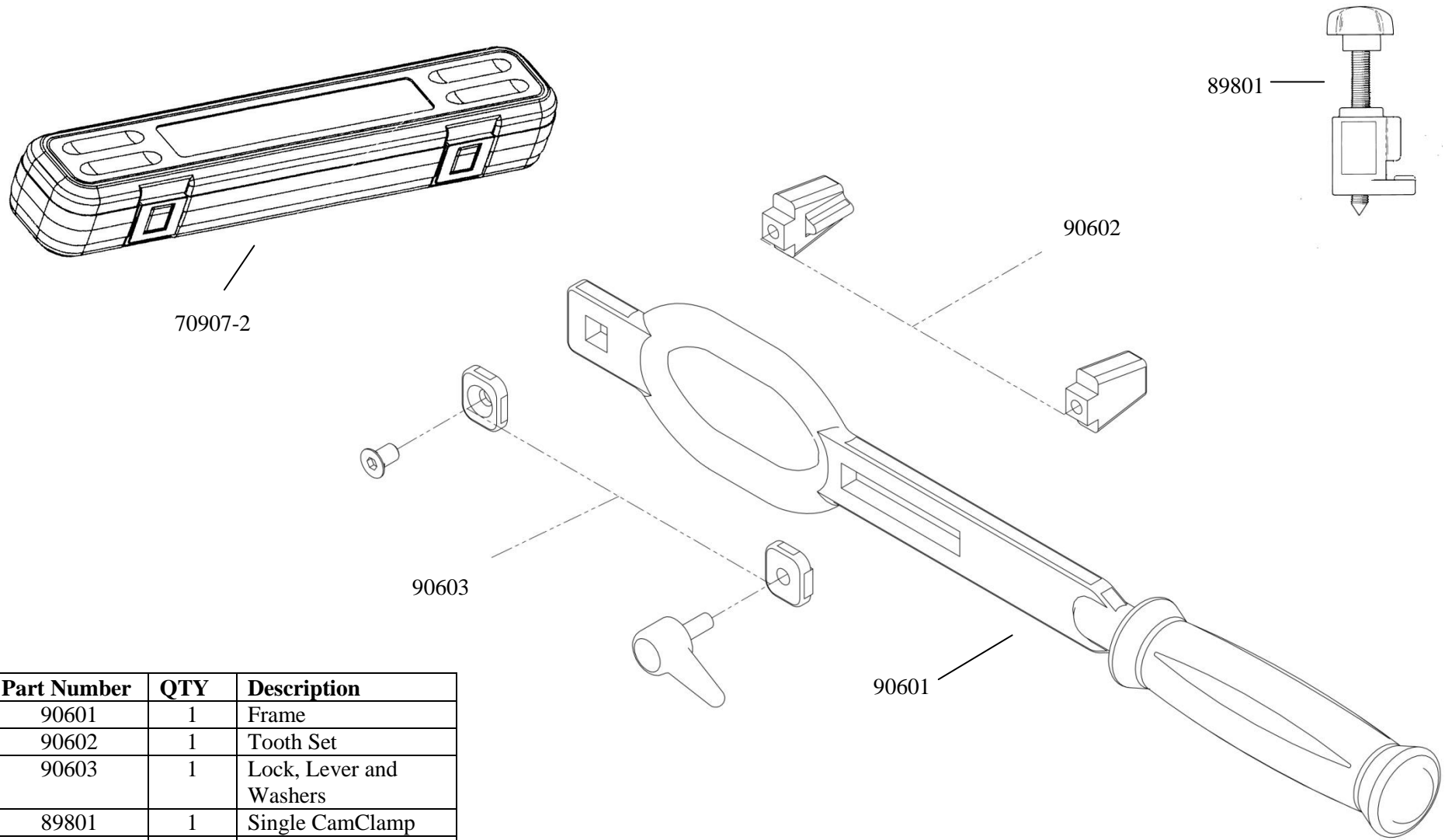


# 70907 Timing Gear Holder Kit – SPARE PARTS



Part Number	QTY	Description
90601	1	Frame
90602	1	Tooth Set
90603	1	Lock, Lever and Washers
89801	1	Single CamClamp
70907-2	1	Blow Mould Case